



HappyAnt
shop.cz
— MODULAR ANT NEST —

User Manual

DEAR CUSTOMER!

Thank you for your recent purchase from HappyAnt. We believe that the items have arrived in **excellent condition** as we have shipped them.

Our mission is to make ant keeping as fancy and popular as the fish, cat or dog keeping is nowadays. That is why we focus on easy maintenance, intuitive use and elegant design. Please help us on this mission **by leaving feedback** either on social media, email or any channel you prefer. This will help us as a sellers and manufacturers, but also the community which is considering buying our products.

If, for any reason, we have fallen short of your expectations, please do not hesitate to **contact us** and we will do our absolute best to work with you to make sure you are entirely satisfied. We wish you all the **fun and joy** you can have while ant keeping and we believe that our products, designed and manufactured in the **Czech Republic**, will serve you well.

We are looking forward to hearing from you in the future.

Kind regards,

Martin Kust
founder & CEO



HappyAnt
shop.cz
— MODULAR ANT NEST —



EASY CLEANING



MODULAR SYSTEM



NATURAL CORK



MADE IN CZECHIA

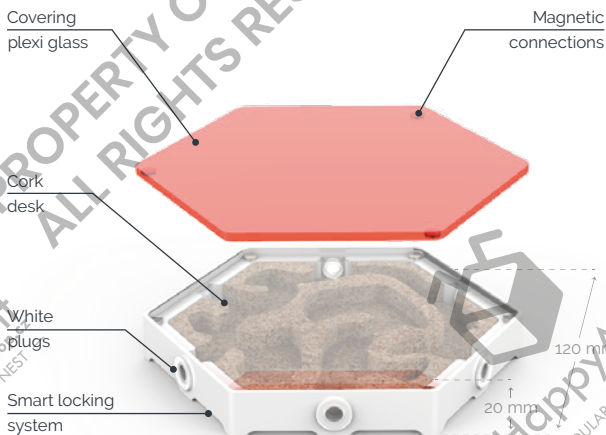


The module is made only out of the best **quality materials**, keeping ease of maintenance and **durability** in mind.

The hexagonal white plastic box with six holes is the fundamental part of the ant nest. Then there is the transparent plexiglass through which you can **watch the ants** and a removable red cover whose position is secured by **magnets**.

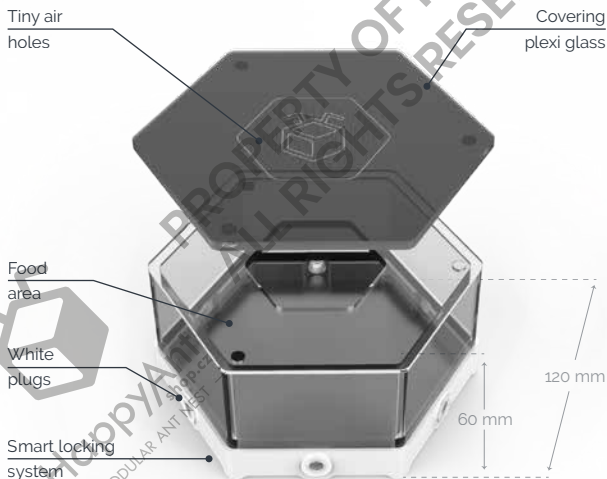
Inside there is a cork desk, providing **natural** environment for ants and keeping the right amount of humidity inside the nest. The water can be easily added through the holes on the sides. The cork desk can be **replaced** if needed.

Each module comes with **six white plugs** to seal the holes on the sides and **four clips** to connect the arenas and modules together.



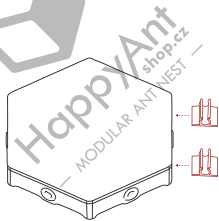
The arena is built in a way that provides the easiest possible maintenance and **clear viewing**, while using the best materials available. The hexagonal white plastic box together with a hexagonal transparent wall is the fundamental part of the ant nest. Then there is a transparent lid with hexagonal hole in the middle through which you can put **food and water** into the arena.

The gray cover with super-tiny air holes is attached to the arena **by magnets** and prevents the ants from escaping. Even the transparent lid with the hole in the middle can be removed, if needed. Each arena comes with **six white plugs** to seal the holes on the sides and **four clips** to connect the arenas and modules together.



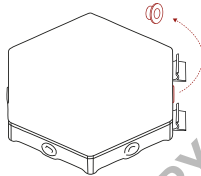
SMART LOCKING SYSTEM

STEP 01



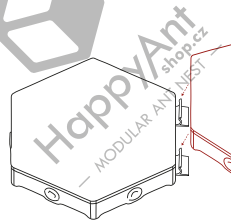
PREPARE THE CLIPS

STEP 02



REMOVE THE PLUG

STEP 03



ATTACH THE MODULE

TIPS & TRICKS

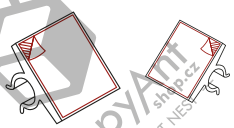
While removing the coloured cover lid on an arena or module, **push it to the side**. Don't pull it up. It reduces the vibrations in the nest.

When watering your nest by syringe, make sure you always pierce the white plug in **one spot**. It leaves only one small hole and the ants can't squeeze through.

Place your set on a **hard pad**. It makes the manipulation easier.

Follow the "HappyAnt shop" group and other ant-related groups on Facebook. It gives you **more tips and tricks** on ant keeping.

#2



#5

Use a sticker on the **connection clips**. It makes the whole setup solid and prevents accidents.

CONTACT

NEED MORE **INFO?**
FEEL FREE TO GET IN TOUCH!



WWW.HAPPYANTSHOP.CZ



INFO@HAPPYANTSHOP.CZ



@HAPPYANTSHOP